

Quick Start Guide

GP162 – LiteRider Envy with LiNX



Read before assembly.

Step 1.

Grasp the battery pack handle and pull to remove the battery pack. Locate the two battery deactivate blocks which sit on the frame under the battery pack and remove them. See figure 1.

Step 2.

Insert the seat post into the receiver and secure with the supplied nut and bolt. Refer to the seat post quick start guide sheet for proper assembly. Carefully lower the battery pack into the frame assembly. Make sure that the pack is securely seated in the frame, and is making contact with the connectors. Make sure the freewheel levers are in the engaged position. See figure 1.

Step 3.

Hold the seat at an angle to visually align the seat swivel post, and the seat post on the power chair. Lower the seat swivel post into the seat post. Push down to make sure it is seated securely and unable to move side to side. Push down on the swivel handle and move the seat so that it is facing in the forward position if not already there. See figure 2.

Step 4.

Loosen each arm width adjustment screw at the bottom rear of the seat frame with the supplied Allen wrench. Insert each arm into the arm receiver tube. Adjust the width of each arm. Tighten each arm width adjustment screw to secure each arm in place. See figure 3.

Step 5.

Loosen the joystick bracket adjustment knob located under the armrest. Insert the joystick into the bracket under the armrest. Adjust the position of the joystick to a comfortable spot. Tighten the joystick adjustment knob to secure the joystick. See figure 4.

Step 6.

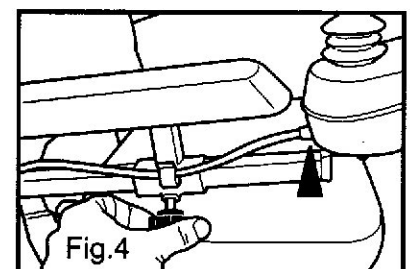
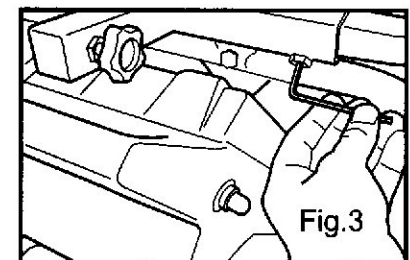
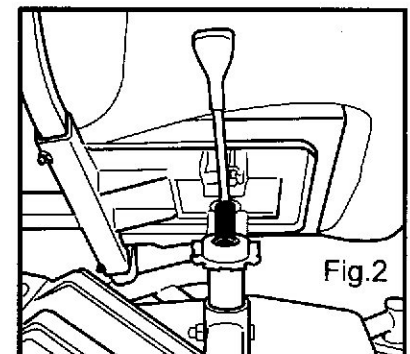
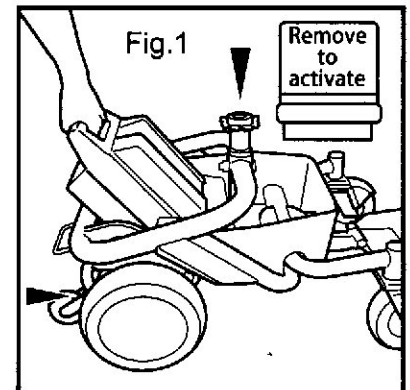
Connect the joystick control cable to the joystick. See figure 4.

Step 7.

Sit on the seat, facing forward, and push the on/off button on the joystick. Verify the battery meter on the joystick illuminates indicating power on and that the on/off button is not flashing. If it is flashing, count the number of flashes, and refer to your owner's manual to determine the problem. If the battery meter is illuminated and the on/off button is a steady green, your power chair is assembled correctly, and you are ready to ride.

NOTICE

New batteries must be fully charged prior to the initial use of the product. Connect the charger to the power chair first, then the wall outlet, and charge the batteries for 12 hours before using the product.



LiteRider Envy Seat Post Quick Start Guide (GP162)

- 1** Remove the seat post from its packaging.
See figure 1.

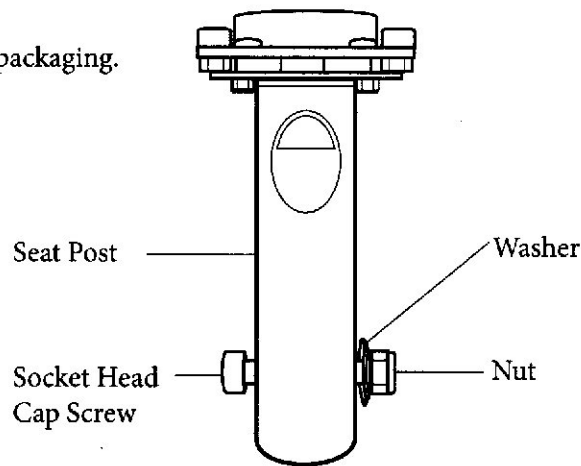


Fig. 1 - Seat Post Assembly (Shown as packaged).

- 2** Remove all hardware from the seat post and retain for assembly.

Note the different size openings on each side of the seat pedestal on the power chair. See Figures 2 and 3.

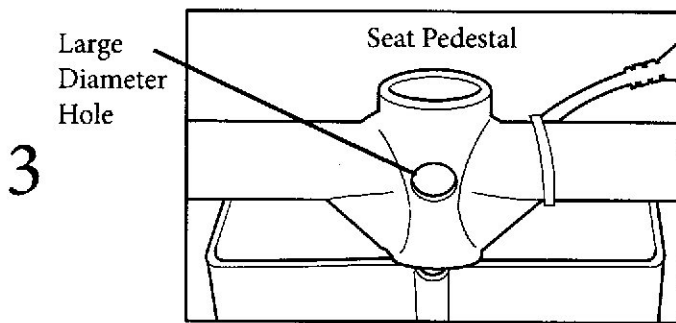


Fig. 2 - Seat Pedestal, Front Side of Power Chair

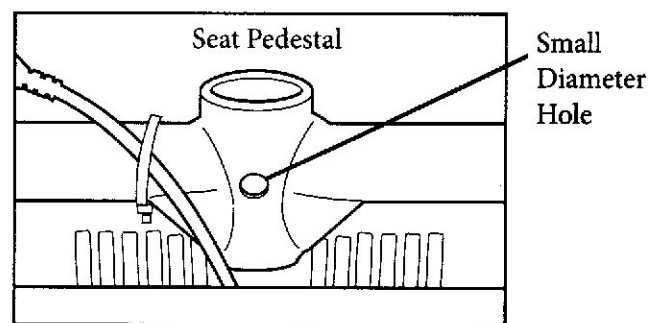


Fig. 3 - Seat Pedestal, Rear Side of Power Chair

- 4** Place the seat post into the seat pedestal as shown in figure 4 and align the holes for your desired height.

- 5** While holding the aligned seat post and pedestal, insert the socket head cap screw into the large hole as shown in figure 4. Next, place the washer and nut onto the bolt and tighten bolt (M8 GR12.9) securely.

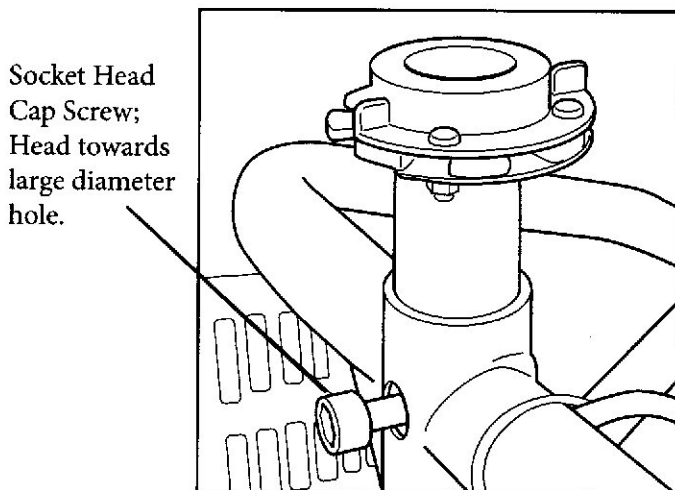


Fig. 4. Seat Post Install, Front Side of Power Chair

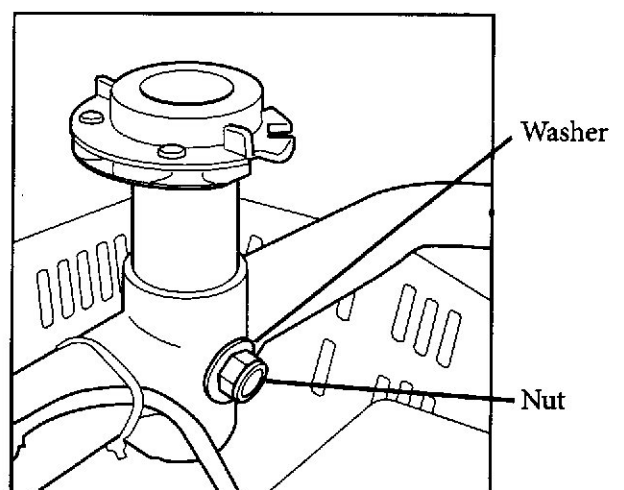


Fig. 5. Seat Post Install, Rear Side of Power Chair